

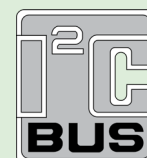


—
your partner
in sensor
technology.



Datasheet TEE501 Eval Kit 1.0

Evaluation Kit for
Digital Temperature Sensor TEE501



TEE501 Eval Kit 1.0

Evaluation Kit for Digital Temperature Sensor TEE501

The evaluation kit facilitates the evaluation and testing of the digital temperature sensor.

The TEE501 Eval Kit 1.0 consists of:

- USB dongle with cable and plug for connecting the sensor to a PC.
- TEE501 Temperature sensor soldered on a test board.
- Software to monitor and save the measured values.

The cable, plug and test board can be exposed to temperatures from -40 to +125 °C (-40...+257 °F).

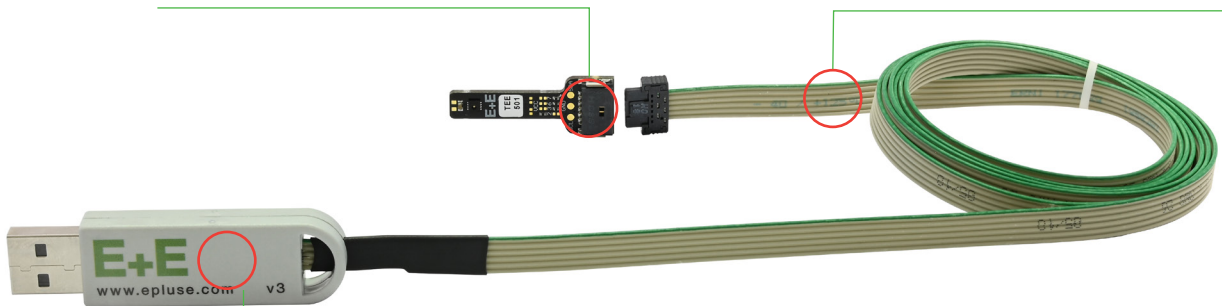
Features

Test board

- PCB with soldered HTE501
- T range: -40...+125 °C (-40...+257 °F)
- Reverse polarity protected plug

Cable

- Length 1.5 m (4.9 ft)
- T range: -40...+125 °C (-40...+257 °F)

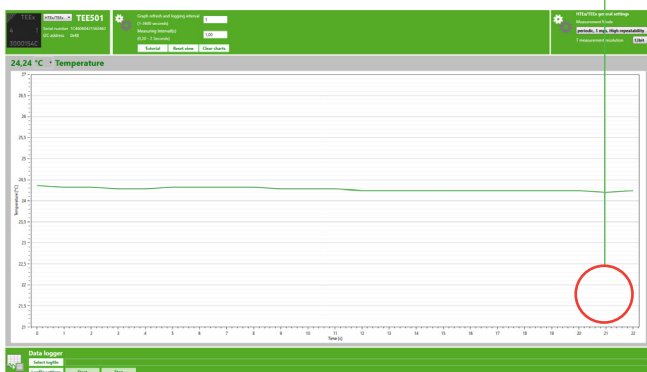


USB Dongle

- I²C to USB Converter for direct connection to a PC

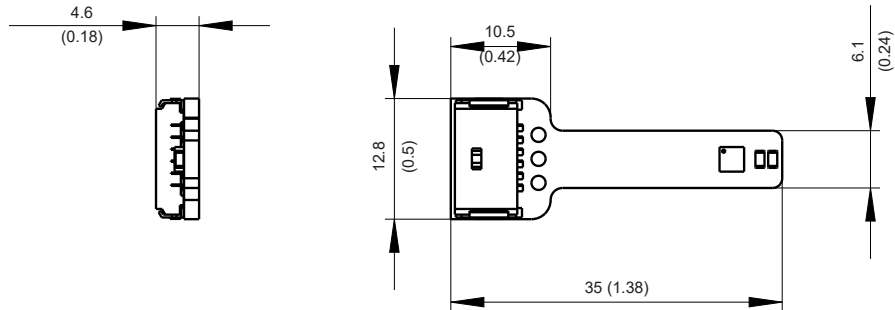
Sensor Evaluation Software

- Communication with the sensor
- Displays its serial number and allows for change of resolution
- Shows temperature and dew point in °C or °F
- Saves the measured values in a CSV file, which can be easily imported into EXCEL
- Free download from www.epluse.com



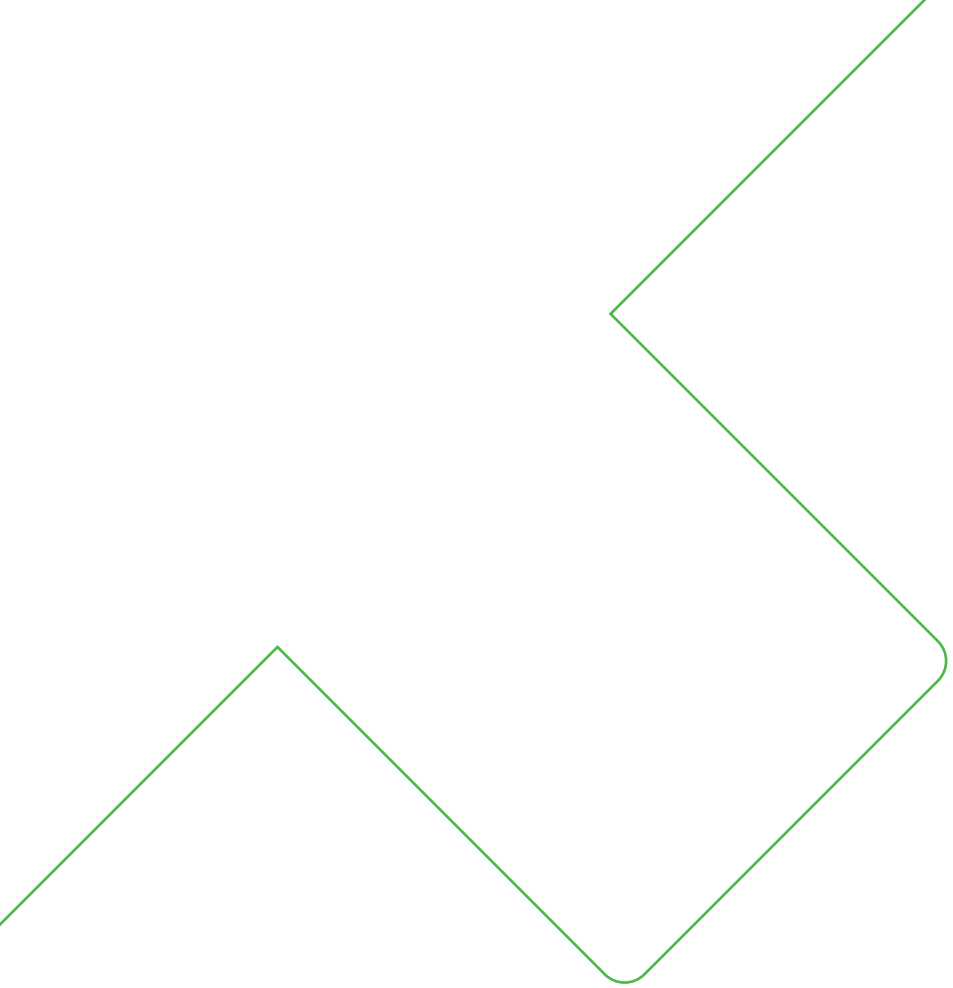
Dimensions of the Test Board

Values in mm (inch)



Ordering Guide

Feature	Description	Code
Evaluation Kit for TEE501	TEE501 Eval Kit 1.0	TEE501 Eval Kit 1.0



Company Headquarters &
Production Site

E+E Elektronik Ges.m.b.H.
Langwiesen 7
4209 Engerwitzdorf | Austria
T +43 7235 605-0
F +43 7235 605-8
info@epluse.com
www.epluse.com

Subsidiaries

E+E Sensor Technology (Shanghai) Co., Ltd.
T +86 21 6117 6129
info@epluse.cn

E+E Elektronik France SARL
T +33 4 74 72 35 82
info.fr@epluse.com

E+E Elektronik Deutschland GmbH
T +49 6171 69411-0
info.de@epluse.com

E+E Elektronik India Private Limited
T +91 990 440 5400
info.in@epluse.com

E+E Elektronik Italia S.R.L.
T +39 02 2707 86 36
info.it@epluse.com

E+E Elektronik Korea Ltd.
T +82 31 732 6050
info.kr@epluse.com

E+E Elektronik Corporation
T +1 847 490 0520
info.us@epluse.com

Version v1.1 | 08-2023
Modification rights reserved



—
your partner
in sensor
technology.

www.epluse.com