



—  
your partner  
in sensor  
technology.



# Datasheet HTE501 Eval Kit 1.0

Evaluation Kit for Digital Humidity and  
Temperature Sensor HTE501



# HTE501 Eval Kit 1.0

## Evaluation Kit for Digital Humidity and Temperature Sensor HTE501

The evaluation kit facilitates the evaluation and testing of the digital humidity and temperature sensor.

The HTE501 Eval Kit 1.0 consists of:

- USB dongle with cable and plug for connecting the sensor to a PC.
- HTE501 Humidity/Temperature sensor soldered on a test board.
- Software to monitor and save the measured values.

The cable, plug and test board can be exposed to temperatures from -40 to +125 °C (-40...+257 °F).

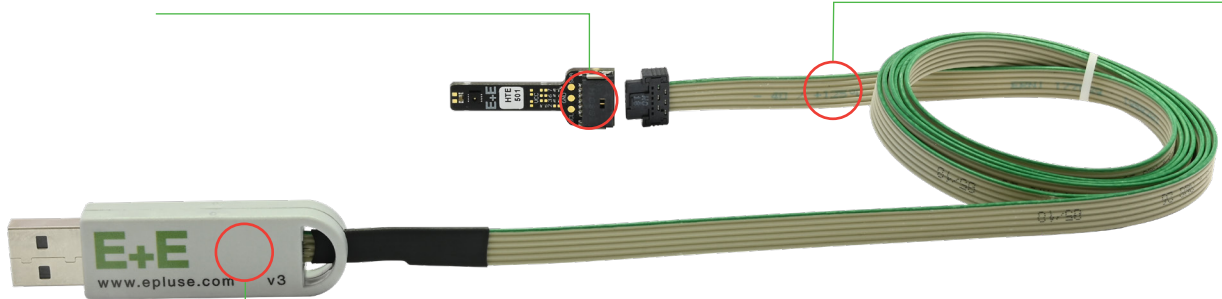
## Features

### Test board

- PCB with soldered HTE501
- T range: -40...+125 °C (-40...+257 °F)
- Reverse polarity protected plug

### Cable

- Length 1.5 m (4.9 ft)
- T range: -40...+125 °C (-40...+257 °F)



### USB Dongle

- I<sup>2</sup>C to USB Converter for direct connection to a PC

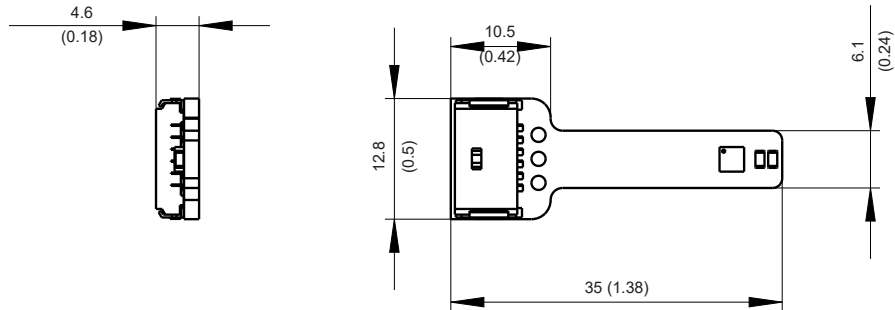
### Sensor Evaluation Software

- Communication with the sensor
- Displays its serial number and allows for change of resolution
- Shows relative humidity in %, temperature and dew point in °C or °F
- Saves the measured values in a CSV file, which can be easily imported into EXCEL
- Free download from [www.epluse.com](http://www.epluse.com)



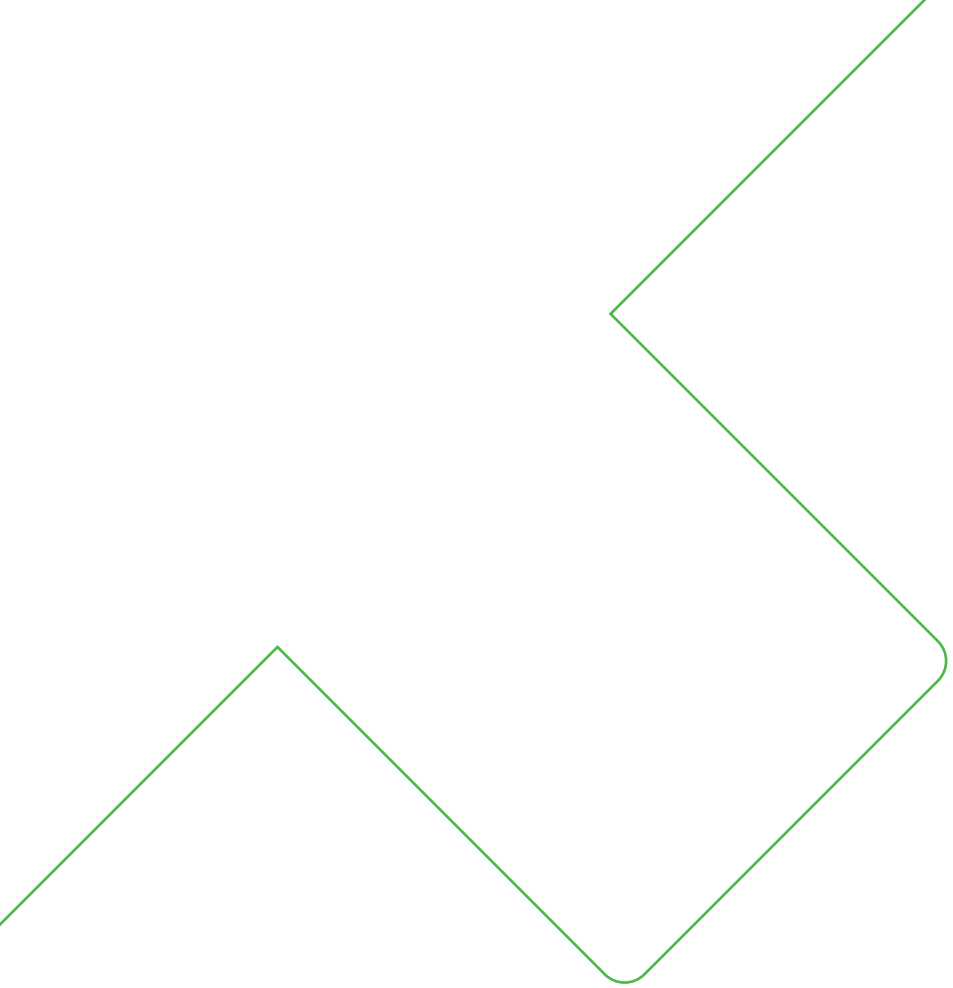
# Dimensions of the Test Board

Values in mm (inch)



## Ordering Guide

Feature	Description	Code
Evaluation Kit for HTE501	HTE501 Eval Kit 1.0	<b>HTE501 Eval Kit 1.0</b>



Company Headquarters &  
Production Site

**E+E Elektronik Ges.m.b.H.**  
Langwiesen 7  
4209 Engerwitzdorf | Austria  
T +43 7235 605-0  
F +43 7235 605-8  
info@epluse.com  
www.epluse.com

Subsidiaries

**E+E Sensor Technology (Shanghai) Co., Ltd.**  
T +86 21 6117 6129  
info@epluse.cn

**E+E Elektronik France SARL**  
T +33 4 74 72 35 82  
info.fr@epluse.com

**E+E Elektronik Deutschland GmbH**  
T +49 6171 69411-0  
info.de@epluse.com

**E+E Elektronik India Private Limited**  
T +91 990 440 5400  
info.in@epluse.com

**E+E Elektronik Italia S.R.L.**  
T +39 02 2707 86 36  
info.it@epluse.com

**E+E Elektronik Korea Ltd.**  
T +82 31 732 6050  
info.kr@epluse.com

**E+E Elektronik Corporation**  
T +1 847 490 0520  
info.us@epluse.com

Version v1.2 | 08-2023  
Modification rights reserved



—  
your partner  
in sensor  
technology.

[www.epluse.com](http://www.epluse.com)