

## QUICK GUIDE

### EE354 - Dew Point Sensor down to -20 °C Td (-4 °F Td)

Find this document and further product information on our website at [www.epluse.com/ee354](http://www.epluse.com/ee354).

#### Electrical Connection



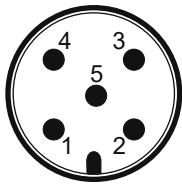
**Important note:**

The manufacturer cannot be held responsible for personal injuries or damage to property as a result of incorrect handling, installation, wiring, power supply and maintenance of the device.

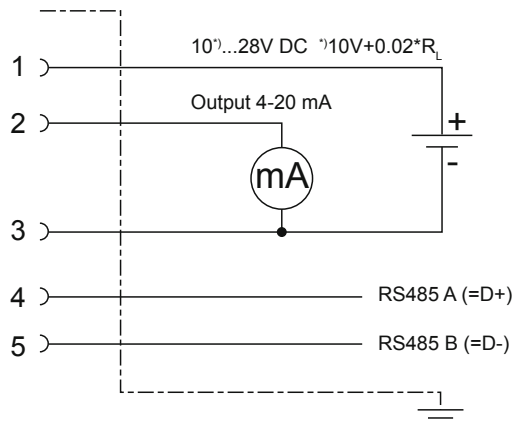


**Please note:**

The device may only be powered with a power supply class III ⚡ (Europe) or with a class 2 supply (North America).



M12 device plug front view



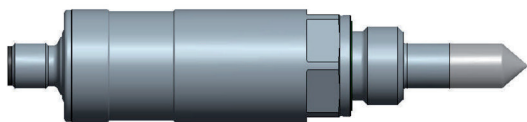
**Please note:**

In order to comply with the EMC Directive 2014/30/EU a shielded cable must be used.

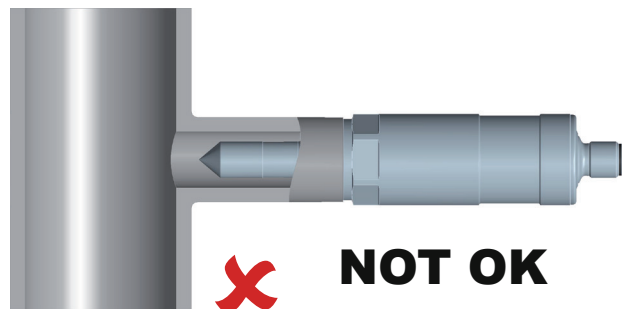
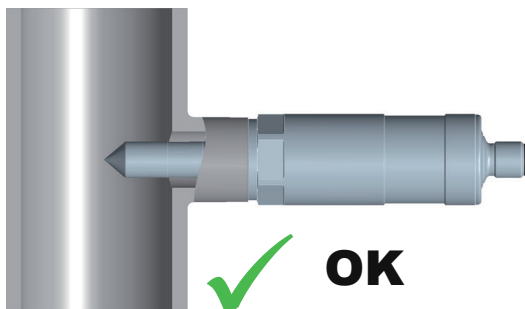
Accessory HA0108xx:  
 connection cable 5 pole, M12x1 socket/free ends, shielded

Pin number	Wire colours	Function
1	brown	Supply voltage
2	white	Output 4 - 20 mA
3	blue	GND
4	black	RS485 A (D+)
5	grey	RS485 B (D-)

#### Installation



Remove protection cap



## Setup and Adjustment

The EE354 is ready to use and does not require any user configuration. The factory setup of EE354 corresponds to the type number ordered. If needed, the user can change the factory setup or make an adjustment with the help of the optional Modbus configuration adapter and the free EE-PCS Product Configuration Software ([www.epluse.com/configurator](http://www.epluse.com/configurator)).

## Modbus Setup

Factory setting:

Baudrate	Data	Parity	Stop bits	Modbus address
9600	8	Even	One	243

Device address, baud rate, parity and stop bits can be set via:

- EE-PCS, Product Configuration Software, the Modbus configuration adapter HA011013.  
The EE-PCS can be downloaded free of charge from [www.epluse.com/configurator](http://www.epluse.com/configurator).
- Modbus protocol in the register 60001 (0x00) and 60002 (0x01).  
See Application Note Modbus AN0103 (available at [www.epluse.com/ee354](http://www.epluse.com/ee354))

## Modbus Register Map

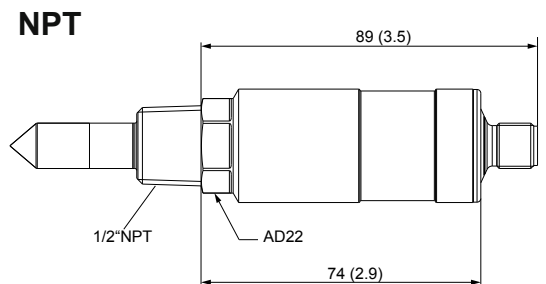
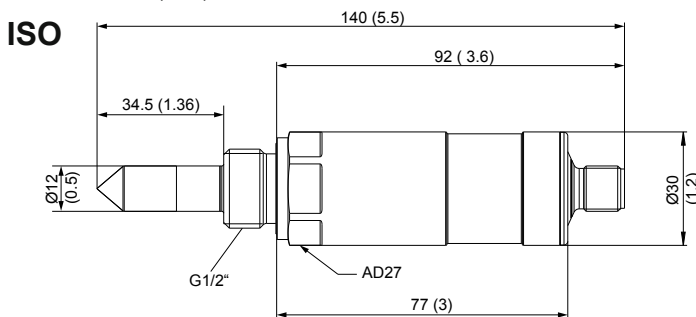
FLOAT 32 bit:				
Parameter	SI Unit	US/GB Unit	Register number <sup>1)</sup> [Dec]	Register address <sup>2)</sup> [HEX]
<b>Read register: function code 0x03 / 0x04</b>				
Temperature T	°C	°F	26	0x19
Relative humidity RH, Uw	% RH	%	28	0x1B
Water vapour partial pressure e'	mbar	psi	30	0x1D
Dew point temperature Td	°C	°F	32	0x1F
Frost point temperature Tf	°C	°F	42	0x29
Volume concentration Wv	ppm	ppm	60	0x3B
INTEGER 16 bit:				
Parameter	SI Unit	US/GB Unit	Register number <sup>1)</sup> [Dec]	Register address <sup>2)</sup> [HEX]
<b>Read register: function code 0x03 / 0x04</b>				
State of auto-calibration 0 ... normal operation 1 ... auto-calibration active			501	0x1F4
<b>Write register: function code 0x06</b>				
Modbus address			1	0x00
RS485 Data Transmission			2	0x01

1) Register number starts from 1

2) Register address starts from 0

## Dimensions

Values in mm (inch)



## INFORMATION

+43 7235 605 0 / [info@epluse.com](mailto:info@epluse.com)

E+E Elektronik Ges.m.b.H.  
 Langwiesen 7 • 4209 Engerwitzdorf • Austria  
 Tel: +43 7235 605-0 • Fax: +43 7235 605-8  
[info@epluse.com](mailto:info@epluse.com) • [www.epluse.com](http://www.epluse.com)

LG Linz Fn 165761 t • VAT No. ATU44043101  
 Place of Jurisdiction: 4020 Linz • DVR0962759

