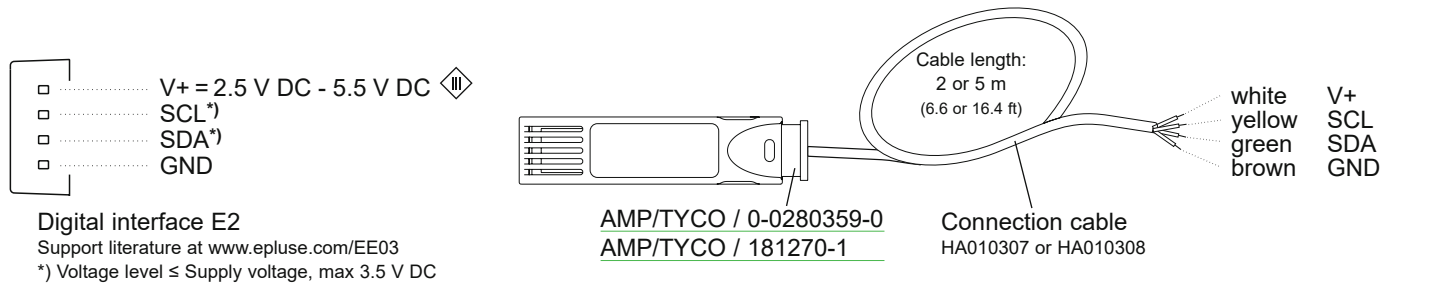


# QUICK GUIDE

## EE03 - Humidity and Temperature Module with Digital Interface

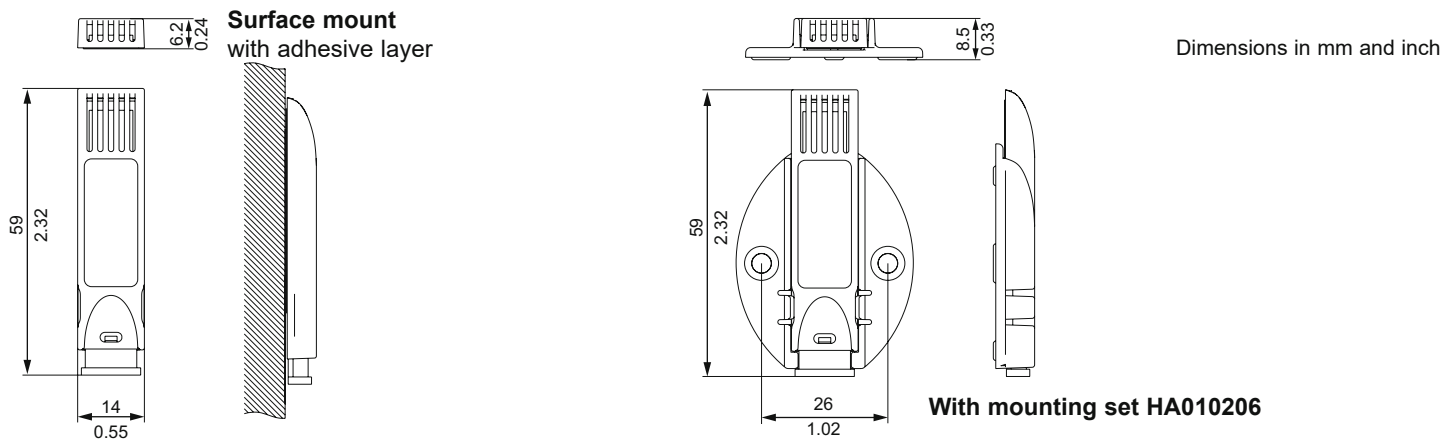
### Connection Diagram

**Important note:**  
 The manufacturer cannot be held responsible for personal injuries or damage to property as a result of incorrect handling, installation, wiring, power supply and maintenance of the device.



### Mounting

» Absolutely avoid extreme and unnecessary mechanical stress.  
 » For maintenance purposes, it is recommended to observe the valid ESD safety precautions.



### Troubleshooting:

Error	Possible cause	Remedy
Unrealistic values	Wrong installation	Please take care that the ambient temperature of the sensor is the same like the measuring temperature.
Complete failure of the instrument	No supply voltage	Check supply cable and supply voltage
Humidity values too high	Bedewing of the sensor probe	Dry the sensor probe

For disposal, the individual components of the device shall be separated according to local recycling regulations.  
 The electronics shall be disposed of correctly as electronics waste.

### INFORMATION

+43 7235 605 0 / [info@epluse.com](mailto:info@epluse.com)

E+E Elektronik Ges.m.b.H.  
 Langwiesen 7 • 4209 Engerwitzdorf • Austria  
 Tel: +43 7235 605-0 • Fax: +43 7235 605-8  
[info@epluse.com](mailto:info@epluse.com) • [www.epluse.com](http://www.epluse.com)

LG Linz Fn 165761 t • VAT No. ATU44043101  
 Place of Jurisdiction: 4020 Linz • DVR0962759

