

QUICK GUIDE

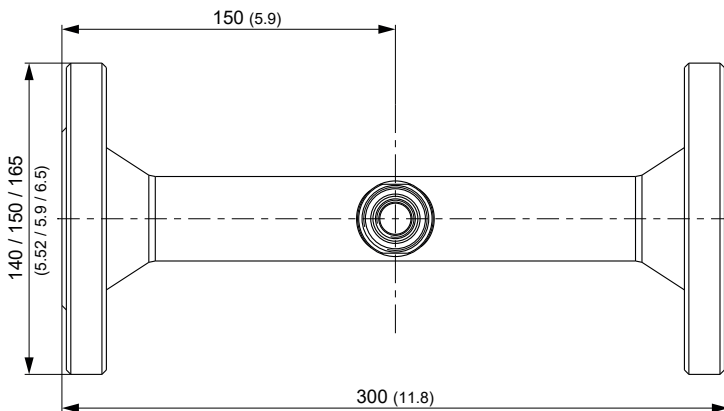
EE741 - Gauge Mounting Block with Flanges DN32/DN40/DN50

(Full User Guide at www.epluse.com/EE741)

Technical Data

Pipe diameters	DN32 (1-1/4") DN40 (1-1/2") DN50 (2")
Operating pressure (max.)	16 bar (232 psi) / PN16
Material	Entire media-contacting surface in stainless steel 1.4404
Process connection	Flanges according to PN40-EN 1092-1 Typ Form B (DIN2635 FormC)
Temperature range	TS (-20)°C – (+60)°C
Statement PED Pressure Equipment	acc. good engineering praxis
Directive - European Commission	PED 2014/68/EU article 4.3

Dimensions in mm (inch)



DN32

Flange diameter: 140 mm (5.52")
 Length: 300 mm (11.8")
 PN40-EN 1092-1 Typ Form B (DIN2635 FormC)

DN40

Flange diameter: 150 mm (5.9")
 Length: 300 mm (11.8")
 PN40-EN 1092-1 Typ Form B (DIN2635 FormC)

DN50

Flange diameter: 165 mm (6.5")
 Length: 300 mm (11.8")
 PN40-EN 1092-1 Typ Form B (DIN2635 FormC)

Accessories

Gasket set for gauge mounting block with flanges DN32
 Gasket set for gauge mounting block with flanges DN40
 Gasket set for gauge mounting block with flanges DN50
 Cable M12x1 female, angled 90°, 4 pins, 3m (9,8ft)

HA074532
 HA074540
 HA074550
 HA010824

Installation

The gauge mounting block with flanges is symmetrical and can be installed in the pipeline irrespective of the flow direction. The entire media contacting surface is of stainless steel 1.4404.

- Both connection surfaces of the flanges are to be connected to the pipe system with suitable seals. (see HA074532, HA074540, HA074550)
- The seals shall not impact the cross section of the pipe or of the block.
- All connections must be properly sealed and checked for tightness before use.

INFORMATION

+43 7235 605 0 / info@epluse.com

E+E Elektronik Ges.m.b.H.
 Langwiesen 7 • A-4209 Engerwitzdorf
 Tel: +43 7235 605-0 • Fax: +43 7235 605-8
info@epluse.com • www.epluse.com

LG Linz Fn 165761 t • UID-Nr. ATU44043101
 Place of Jurisdiction: A-4020 Linz • DVR0962759

