

EE381

Compact Transmitter / Switch for Moisture Content in Oil

E+E Transmitter Series EE381 are specially designed for the measurement of water content in oil. EE381 is ideal for online monitoring of moisture in lubrication or insulation oil, which is very important for the long-term performance and preventive maintenance of plant and machinery.

For instance, moisture affects dramatically the insulation characteristics of electrical transformer oil and therefore continuous monitoring is extremely important.

Humidity measurement in oil

Similar to the humidity in the air, the water content in oil can be indicated by the absolute value in ppm or by the relative value a_w :

- ppm (mass of water / mass of oil)
- a_w (actual water content as fraction of the water content in saturated oil)

$a_w = 0$ corresponds to water-free oil, while $a_w = 1$ indicates saturated oil. a_w measurement with the EE381 transmitter is based on the outstanding long term stability and resistance to pollution of the E+E capacitive sensor elements series HC.

The measured physical quantities are water activity a_w and temperature T . With these quantities EE381 calculates the water content x (ppm) in mineral transformer oils. Calculation of water content (ppm) in non-mineral oils and lubrication oils can be achieved by programming the specific parameters of the oil into the EE381.



EE381

Outputs

The EE381 transmitter has two freely selectable and scaleable outputs for water activity, water content or temperature.

The EE381 switch with two relay outputs is designed for control and alarm purposes. The status for early warning and main alarm is indicated by LED's.

Adjustment of the $a_w/T/ppm$ set point and hysteresis can be achieved with the optional configuration software.

Configuration Software

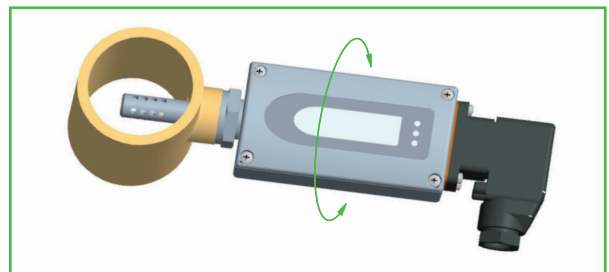
The optional configuration software allows flexible and easy adjustment of the analogue resp. relay outputs to the respective requirements.

The adjustment / calibration of the transmitters can easily be performed.

Screw Connection for Mounting - 360° positionable

The construction of this screw connection enables any position / rotation of the mounted transmitter.

So an optimal position of the display resp. the cable outlet is guaranteed.



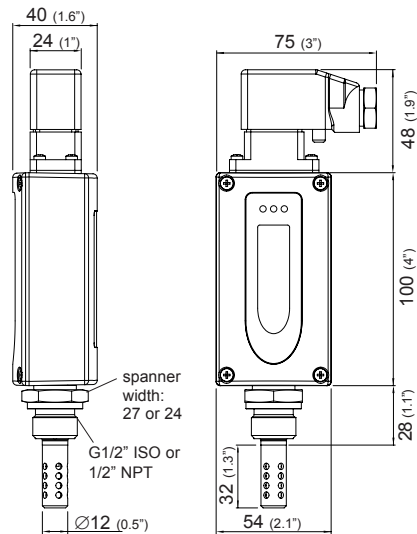
Typical Applications

- monitoring of
- transformer oil
- hydraulic oil
- ship engines

Features

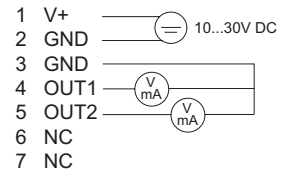
- measuring range 0...1 a_w
- measurement of water content in ppm
- medium temperature -40...80°C (-40...176°F)
- two relay outputs for $a_w/ppm/T$

Dimensions in mm

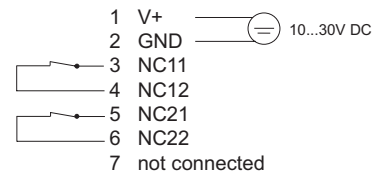


Connection Diagram

analogue output



relay output



Technical Data

Measurement values

Water activity

Humidity sensor	HC1000-400K	
Measuring range	0...1a _w	
Accuracy incl. hysteresis and nonlinearity in air*	$\pm 0.02a_w$ (0...0.9a _w)	$\pm 0.03a_w$ (0.9...1a _w)
Temperature dependence	a _w : $\pm(0.00022 + 0.0002 \times a_w) \times \Delta T$ [°C] T: $\pm(0.0003^\circ\text{C}/^\circ\text{C})$	$\Delta T = T - 20^\circ\text{C}$
Response time with stainless steel filter at 20°C / t ₉₀	typ. 10min in still oil	

Temperature

Temperature sensor element	Pt 100 DIN A	
Working range sensing probe	-40...120°C (-40...248°F)	
Accuracy		

Outputs

EE381-Tx two freely selectable and scaleable analogue outputs for a _w , T, ppm	0 - 1V / 0 - 5V / 0 - 10V ¹⁾ 4 - 20mA / 0 - 20mA	-1mA < I _L < 1mA R _L < 500 Ohm ¹⁾
EE381-Sx alarm output	2 potential-free relays (NC) 30V DC 0.6A / 35V AC 0.3A (resistive)	

General

Supply voltage	10...30V DC	
Current consumption at 24V DC	voltage output: typ. 40mA current output: typ. 80mA	
Pressure range	0...20bar (0...290psi) / 0...100bar (0...1450psi)	
System requirements for software	WINDOWS 2000 or later; serial interface	
Serial interface for configuration	RS232C	
Housing / Protection class	Al Si 9 Cu 3 / IP65	
Electrical connection	7-pole industrial plug: DIN VDE 0627 / IEC 61984 cable cross-section: 0.25 - 1 mm ² / cable connection: PG 11	
Sensor protection	stainless steel filter (punched)	
Working temperature range	probe: -40...120°C (-40...248°F) electronic: -40...80°C (-40...176°F) with LC display: -20...50°C (-4...122°F)	
Storage temperature range	-40...60°C (-40...140°F)	
Electromagnetic compatibility according to	EN 61326-1 Industrial Environment	EN61326-2-3 ICES-003 ClassB FCC Part15 ClassB

1) minimum supply voltage 15V DC

*) The accuracy statement includes the uncertainty of the factory calibration with an enhancement factor k=2 (2-times standard deviation). The accuracy was calculated in accordance with EA-4/02 and with regard to GUM (Guide to the Expression of Uncertainty in Measurement).

Ordering Guide

		EE381-	EE381-
Hardware Configuration			
Model	transmitter switch	T	S
Pressure range	up to 20bar (290psi) up to 100bar (1450psi)	E	E
Pressure tight feedthrough	G1/2" male thread 1/2" NPT thread	I HA03 HA07	I HA03 HA07
Display	without display with display	D08	D08
Software Configuration			
Physical parameters of outputs	Temperature T Water activity a _w Water content in mineral transformer oil x Water content in lubrication or no mineral transformer oil 1) x	[°C / °F] (B) [] (K) [ppm] (L) [ppm] (M)	output/relay 1 output/relay 2
Type of output signals (only for model T)	0-1V 0-5V 0-10V 0-20mA 4-20mA		select according to Ordering Guide (B,K,L,M) select according to Ordering Guide (B,K,L,M)
Temperature unit	°C °F		1 2 3 5 6
Scaling of T-output (in °C or °F)	-40...60 (T02) -20...100 (T14) -40...140 (T83) 0...50 (T04) 0...120 (T16) 0...250 (T88) 0...100 (T05) 0...80 (T21) 32...120 (T90) -30...70 (T08) -20...80 (T24) 32...140 (T91) -20...120 (T10) -40...160 (T33) 32...250 (T94) -40...120 (T12) -40...250 (T81) 32...132 (T96)		output/relay T select according to Ordering Guide (Txx) other T-Scaling refer to data sheet „Scaling of the outputs“
ppm Range x	0...100ppm (X01) 0...500ppm (X02) other measuring range: _____ 0...1000ppm (X03)		output/relay x select according to Ordering Guide
Setting of alarm relay outputs	standard for configuration KK: other set points:	R1: 0,8 [] R2: 0,9 [] H1: 0,05 [] H2: 0,05 [] relay 1: _____ relay 2: _____ hysteresis 1: _____ hysteresis 2: _____	SP

1) Input of oil specific parameters necessary

Order Example

EE381-TEHA03D08/BL2-T05-X01

Model:	transmitter	Output 1:	T
Pressure range:	up to 20bar (290psi)	Output 2:	x
Pressure tight feedthrough:	G1/2" male thread	Output signal:	0-5V
Display:	with display	Temperature unit:	°C
		Scaling of T-output:	0...100°C
		ppm Range:	0...100ppm

EE381-SEHA03/KK

Model:	switch	Relay 1:	a _w
Pressure range:	up to 20bar (290psi)	Relay 2:	a _w
Pressure tight feedthrough:	G1/2" male thread	Temperature unit:	°C
Display:	without display	Setting of alarm output:	standard

Scope of Supply

- EE381 Transmitter according to ordering guide
- Mating connector
- Instruction manual
- Inspection certificate according to DIN EN10204 - 3.1

Accessories

- Stainless steel filter cap HA010110
- Display D08
- Configuration cable HA010304

