

QUICK GUIDE

EE371 - Dewpoint Transmitter / Switch

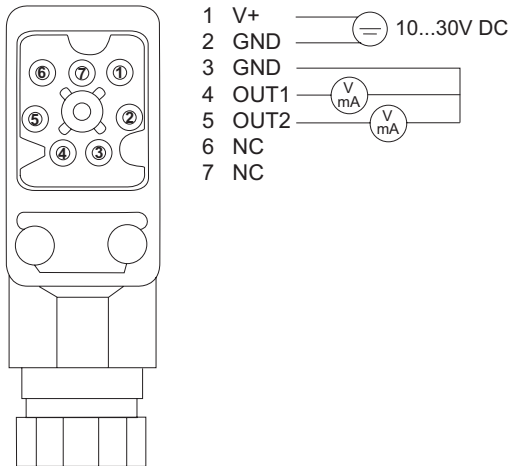
www.epluse.com

Download User Manual at www.epluse.com/ee371

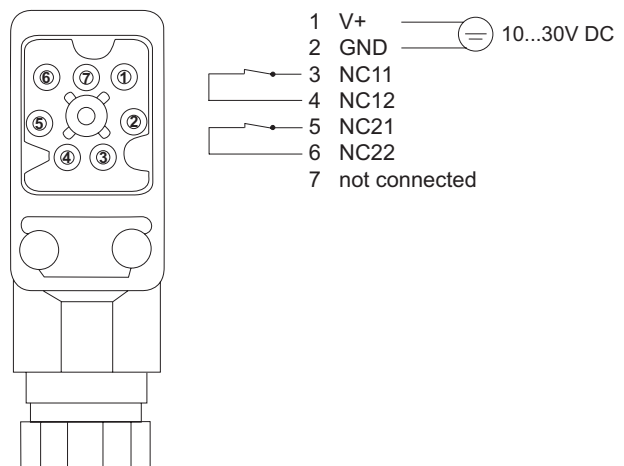
WIRING

7-pole industrial plug: DIN VDE 0627 / IEC 61984
cable cross-section: 0.25 - 1 mm²
cable connection: PG11

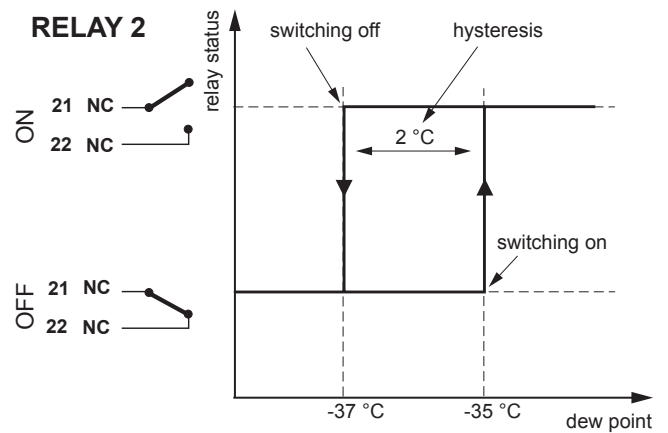
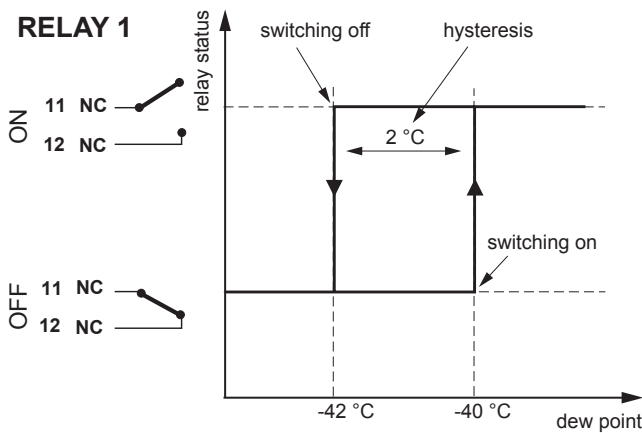
Analogue output



Relay output



Factory setting - Switching points



Status LED's

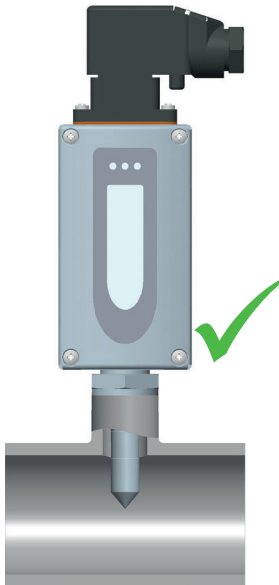
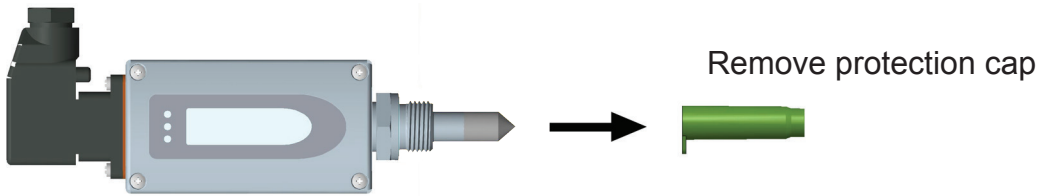


Green (Power LED): flashing => supply voltage applied
Yellow / Red: The yellow and red LEDs are only activated with model S (switch):
- yellow lit constantly: early warning relay 1
- red lit constantly: main alarm relay 2
With model T (transmitter) the yellow and red LEDs are deactivated and have no function.

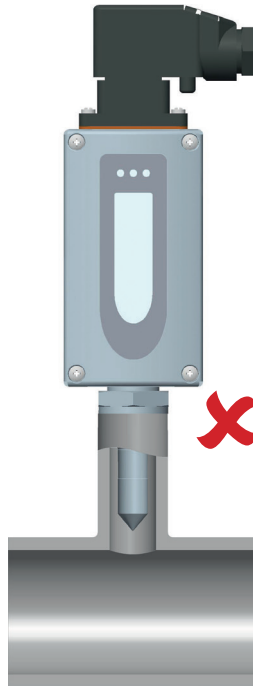
TRANSMITTER CONFIGURATION

The EE371 transmitter is ready to use and does not require any configuration by the user. The factory setup corresponds to the type number ordered. If needed, the user can change the factory setup or make an adjustment by using the E+E Product Configuration Software (EE-PCS). You need the serial interface cable (E+E part no. HA010604) or the EE-PCA with HA011063 to connect the EE371 with your computer. The E+E Product Configuration Software (EE-PCS) is free and can be downloaded from www.epluse.com/configurator.

INSTALLATION



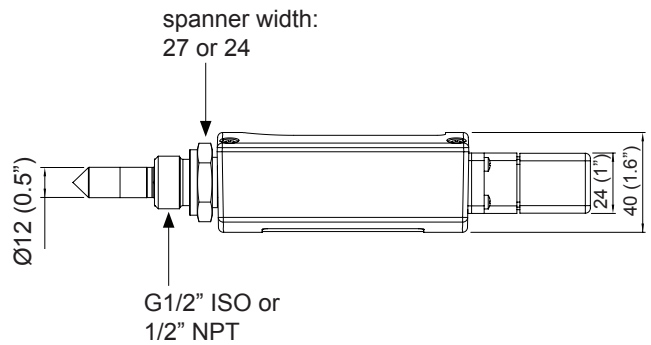
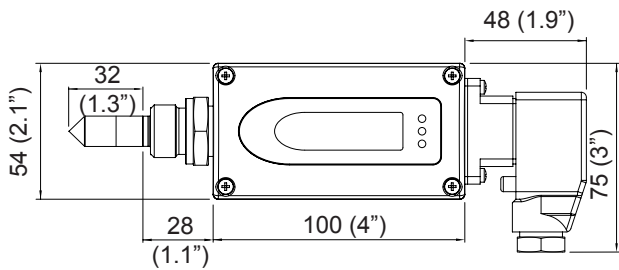
OK



NOT OK

DIMENSIONS

in [mm]



E+E Elektronik Ges.m.b.H.
 Langwiesen 7 • A-4209 Engerwitzdorf
 Tel: +43 7235 605-0 • Fax: +43 7235 605-8
 info@epluse.com • www.epluse.com

LG Linz Fn 165761 t • UID-Nr. ATU44043101
 Place of Jurisdiction: A-4020 Linz • DVR0962759

